

04 Layer

**Multitouch
through
unique design.**

04 Layer

Minimal Approach

A unique design piece, LAYER joins the latest multitouch technology with a graceful aesthetic. We sought to create a robust and noble end-user product, combining materials of excellence. Due to the presence of two distinct elements and a unique ventilation slot, you can choose to have two separate colour variation areas, carefully projected so that the outcome is a harmonious final product.

LAYER can be implemented in both industry and commercial spaces, enhancing its surroundings.



04 Layer

Customize your Layer

Available in any RAL colour reference



Technical Specifications

System

Brightness
up to 450 cd/m²

Audio System

Temperature
Operation
0° - 40°

Multitouch

Wi-fi

Add-ons

IP/USB Camera

Wifi Hotspot

3G

UPS

System

Temperature operation: 0°C / 40°C
 Operating humidity: 10% - 80%
 Operation (Standard): 18/7/365
 Operation (Optimized): 24/7/365
 Power supply: AC 100-240V, 50/60Hz

Computer

Processor: Intel i3/i5/i7
 Ram: 4/8/16 GB
 Hard drive: SSD 120/240 GB
 OS: Windows 10 pro

Compatible with Android, OSX, Linux
 (customized unit option)

Display

Screen size: 32"/43"/49"/55"/65"
 Panel technology: IPS
 Backlight type: Edge-lit LED
 Brightness: up to 450 cd/m²
 Resolution: 1920x1080 (FHD)
 Aspect ratio: 16:9
 Contrast ratio: 1,100: 1
 Viewing angle: 178° x 178°
 Audio: Built-in speaker 10Wx10W

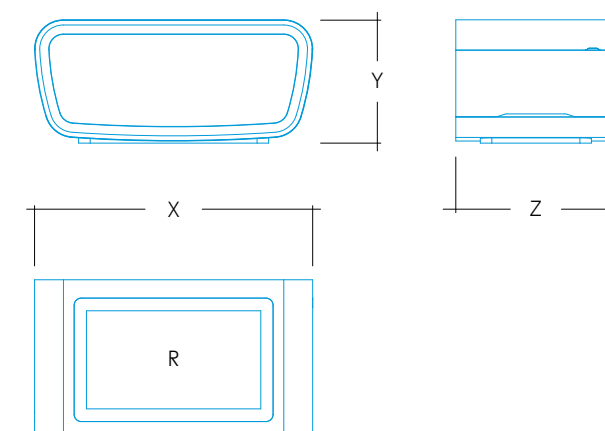
Optional

Colour customization in any RAL reference
 Flight case for transport
 Further configuration options upon request

Multitouch technology

Projected Capacitive up to 100 touch points

Dimensions



R	X(mm)	Z(mm)	Y(mm)
32"	1244	626	855
43"	1657	960	855
49"	1794	1035	855
55"	1930	1111	855
65"	2148	1234	855

Dive in.

